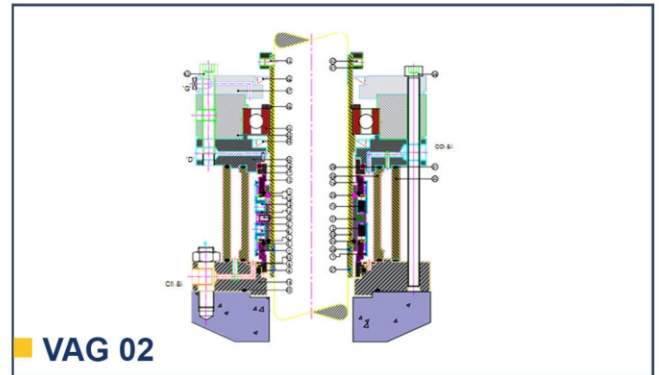


# VAG 02 – AGITATOR MECHANICAL SEAL



- Description :

- Single agitator seals which are dynamically tested being used for steel, glass lined, ss mixers, agitators and reactor vessels. Clean soft water is mainly preferred because of its good heat transfer qualities, as these seals are used with non-pressurised barrier fluid. To ensure cool running these seals can be supplied with cooling water jacket. These seal are all parts interchangeable like mating ring, seal ring, bearing, dynamic o ring etc.

- Seal Features:

- Single Seal / Double Seal
- Unbalanced / Balanced
- Outside mounted, Easy Installation
- Operated with pressurized barrier fluid

- Operating Limits:

- Shaft Dia : 25mm to 150mm
- Pressure : Up to 20 bar
- Temp : -20°C to 180°C
- Speed : Up to 400rpm

- Materials :

- Seal Faces – Carbon, Silicon, TC
- Secondary Seal – Viton, FFKM, PTFE, TTV, FEP
- Metal Parts – SS316, Hast-C, Alloy-20

- Applications :

- General Chemicals and its vapors
- Petrochemicals and its vapors
- Pharmaceuticals Industries
- Foods Industries