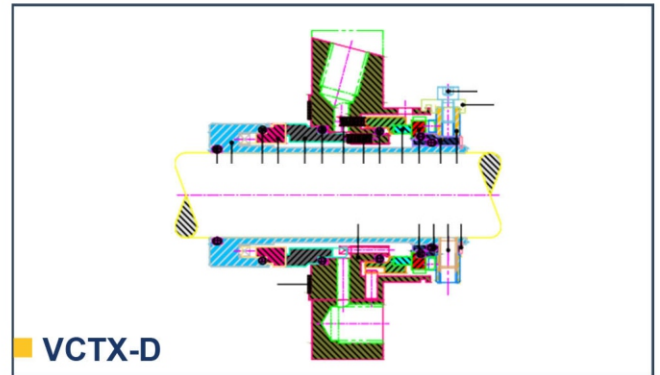


VCTX-D - DOUBLE CARTRIDGE SEAL



- Description :

- Double cartridge mechanical seals having integral sleeve and gland plate. These multi spring design seal are pre-assembled, which could be directly installed without any dimensional adjustment during installation. These seals are balanced, independent of direction of rotation and are offered in back to back and tandem arrangements as per API plan-53.

- Seal Features:

- Double seal
- Inside mounted
- Balanced, Interchangeable mating rings & seal ring,
- Easy Installation

- Operating Limits:

- Shaft Dia : 20mm to 100mm
- Pressure : Up to 10 bar
- Temp : -20°C to 180°C
- Speed : Up to 20m/s

- Materials :

- Seal Faces – Carbon, Silicon , TC
- Secondary Seal – Viton, TTV, FFKM, PTFE
- Metal Parts – SS316, Hast-C, Allov-20

- Applications :

- General Chemicals
- Pharmaceutical
- Pulp & Paper
- Foods & Beverages